

# SWISSCO SENTOSA

## 30M UTILITY BOAT

### GENERAL DATA

<b>Length:</b>	30 m
<b>Breath:</b>	8.6 m
<b>Depth / Draft:</b>	4.3 m / 3.6 m
<b>GRT / NRT:</b>	269 / 81 tons
<b>Registry:</b>	Singapore
<b>Built:</b>	2006
<b>Official Number:</b>	392156
<b>Call Sign:</b>	9V6930
<b>IMO Number:</b>	9393890
<b>Classification:</b>	Nippon Kaiji Kyokai
<b>Bollard Pull:</b>	26 tons

### MAIN ENGINE / GENERATOR

<b>Main Engine:</b>	2 x Caterpillar 3508B 1000 bhp @ 1600 rpm
<b>Main Generator:</b>	2 x Cummins BT5.9 - D(M) 78 kW/415V/50 Hz/1500rpm
<b>Gear Box:</b>	2 x Twin Disc MG5301 Ratio = 4.96 : 1
<b>Propulsion:</b>	2 x Fixed pitch propeller
<b>Max Speed:</b>	10 knots
<b>Consumption:</b>	6,800 ltrs / 24 hrs @ 85% mcr (approx.)

### DECK EQUIPMENT

<b>Towing Winch:</b>	Single Drum Hydraulic Winch 15 tons @ 1st layer / 90 tons brake
<b>Anchor Windlass:</b>	1.5 tons electro hydraulic
<b>Anchor:</b>	2 x Stockless anchor 480 kg
<b>Wire Rope:</b>	Tow wire : 36 mm x 600 m

### SAFETY EQUIPMENT

<b>Fire Fighting:</b>	2 x 600 m <sup>3</sup> / hr monitor
<b>Life Rafts:</b>	2 x 15 men self inflatable
<b>Life Jackets:</b>	14 units

### OTHER INFORMATION

<b>Deck Space:</b>	8.5 m x 6.2 m = 52.7 m <sup>2</sup>
<b>Deck Strength:</b>	5 tons / m <sup>2</sup>



### NAVIGATION / COMMUNICATION EQUIPMENT

<b>Radar:</b>	Furuno FS – 1532
<b>Echo Sounder:</b>	Furuno FCV – 667
<b>GPS:</b>	Furuno GP - 32
<b>Auto Pilot:</b>	Simrad AP32
<b>Compass:</b>	Magnetic type – Daiko Keiki
<b>Sat Phone/ Fax/ Email:</b>	+870773185021 Swisscosentosa@SkyFile.com
<b>Inmarsat C:</b>	Fitted
<b>SSB:</b>	Furuno FS – 1570
<b>VHF:</b>	Furuno FM880S 2 x portable VHF Icom 1600
<b>Navtex:</b>	Furuno NX – 700B
<b>EPIRB:</b>	Samyung SEP406
<b>SART:</b>	2 x ACR 9GH
<b>PA System:</b>	Fitted

### TANK CAPACITY

<b>Fuel Oil:</b>	245 m <sup>3</sup>
<b>Fresh Water:</b>	35 m <sup>3</sup>
<b>Lube Oil:</b>	3 m <sup>3</sup>
<b>Dirty Oil:</b>	7 m <sup>3</sup>
<b>Ballast:</b>	37 m <sup>3</sup>

### ACCOMMODATION

<b>Single Cabin:</b>	2 units
<b>Twin Cabin:</b>	1 unit
<b>8 Men Cabin:</b>	1 unit
<b>Total:</b>	12 men

Last updated on: 8 July 2011

Particulars given herein are without warranty as to accuracy and interest parties must satisfy themselves by inspection or other means of details of the vessel.



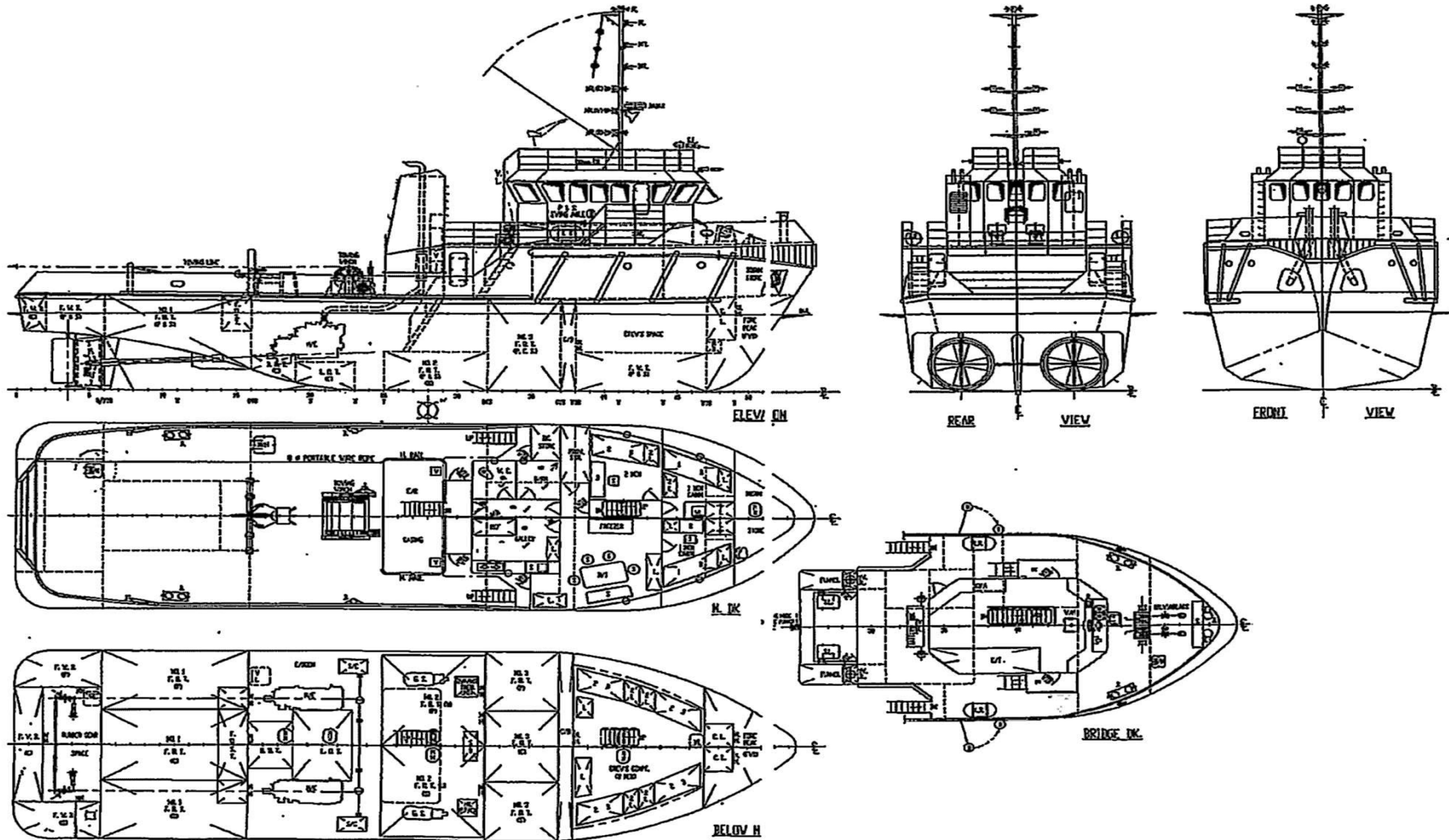
**SWISSCO OFFSHORE PTE LTD**

60 Penjuru Lane, Singapore 609214 | Tel: (65) 6265 2855 Fax: (65) 6264 1661  
E-mail: swissco@singnet.com.sg | Website: www.swissco.net

SWISSCO

# GENERAL ARRANGEMENT

## SWISSCO SENTOSA



**SWISSCO OFFSHORE PTE LTD**

60 Penjuru Lane, Singapore 609214 | Tel: (65) 6265 2855 Fax: (65) 6264 1661

E-mail: [swissco@singnet.com.sg](mailto:swissco@singnet.com.sg) | Website: [www.swissco.net](http://www.swissco.net)